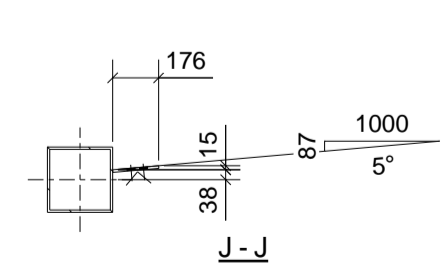
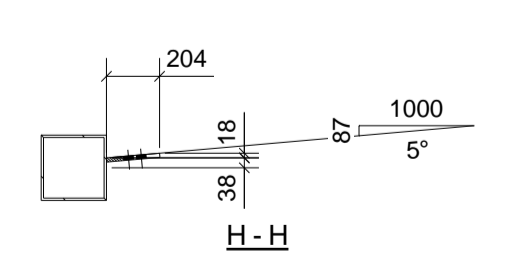
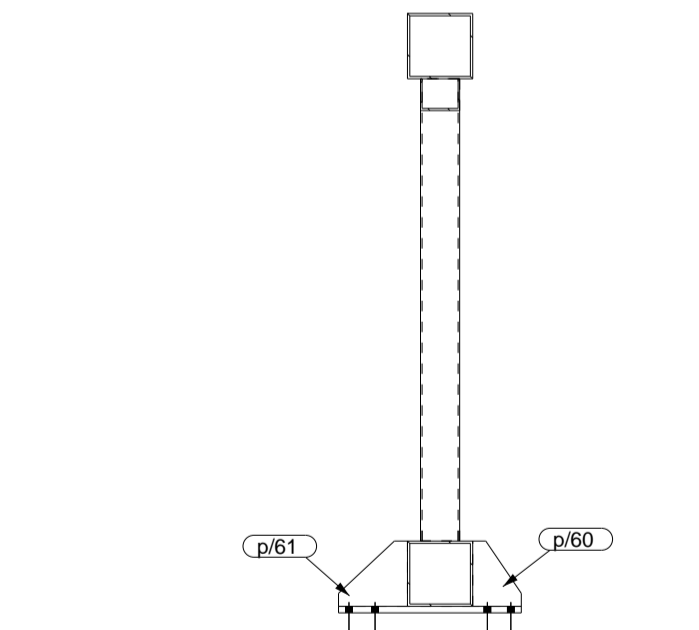
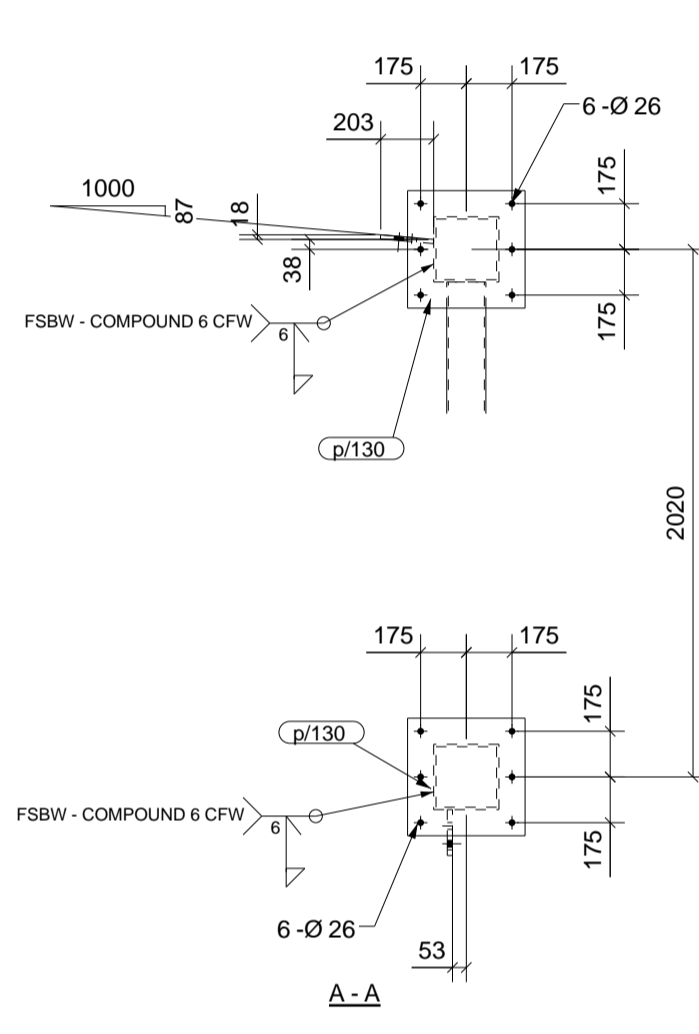
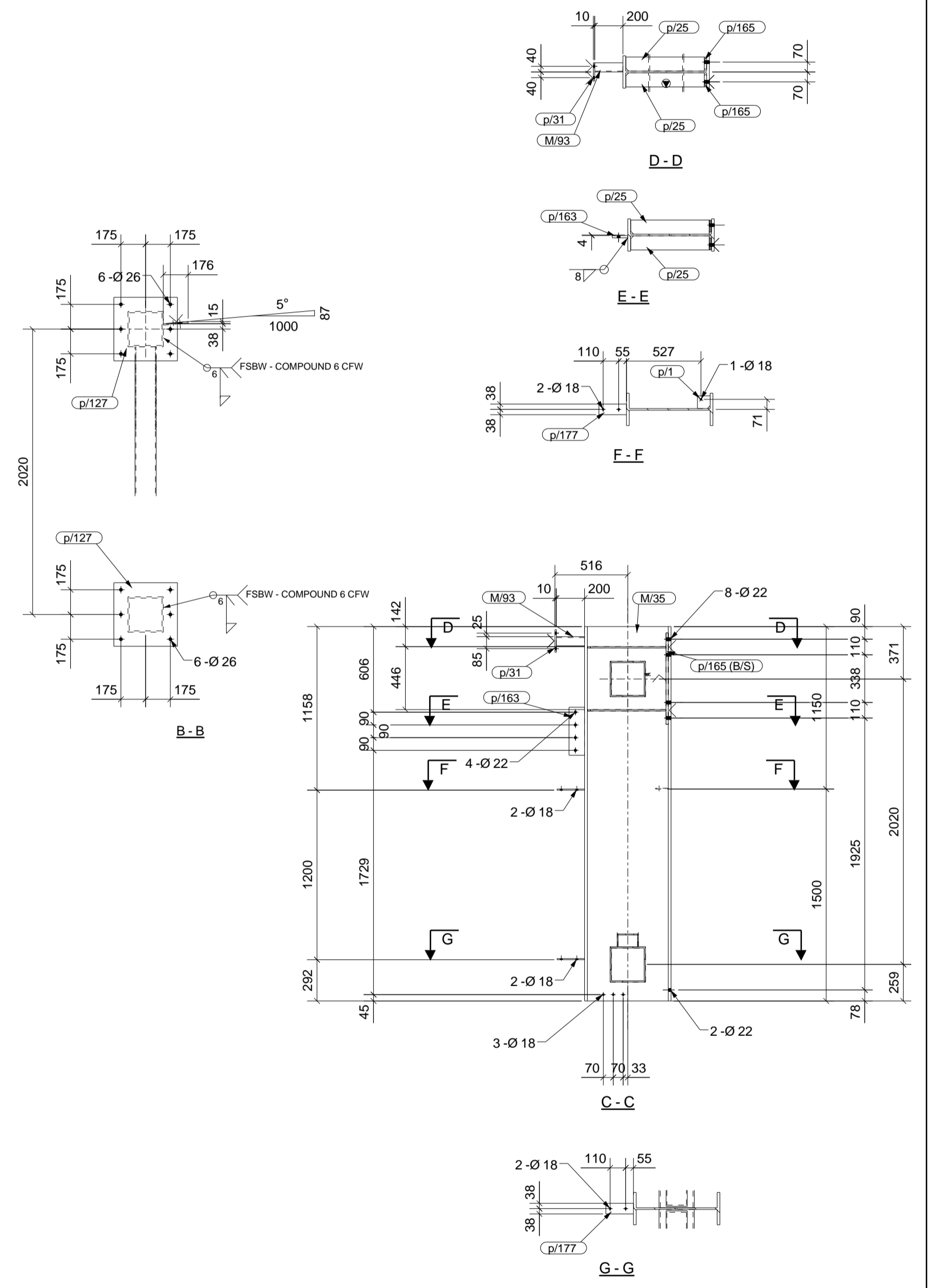
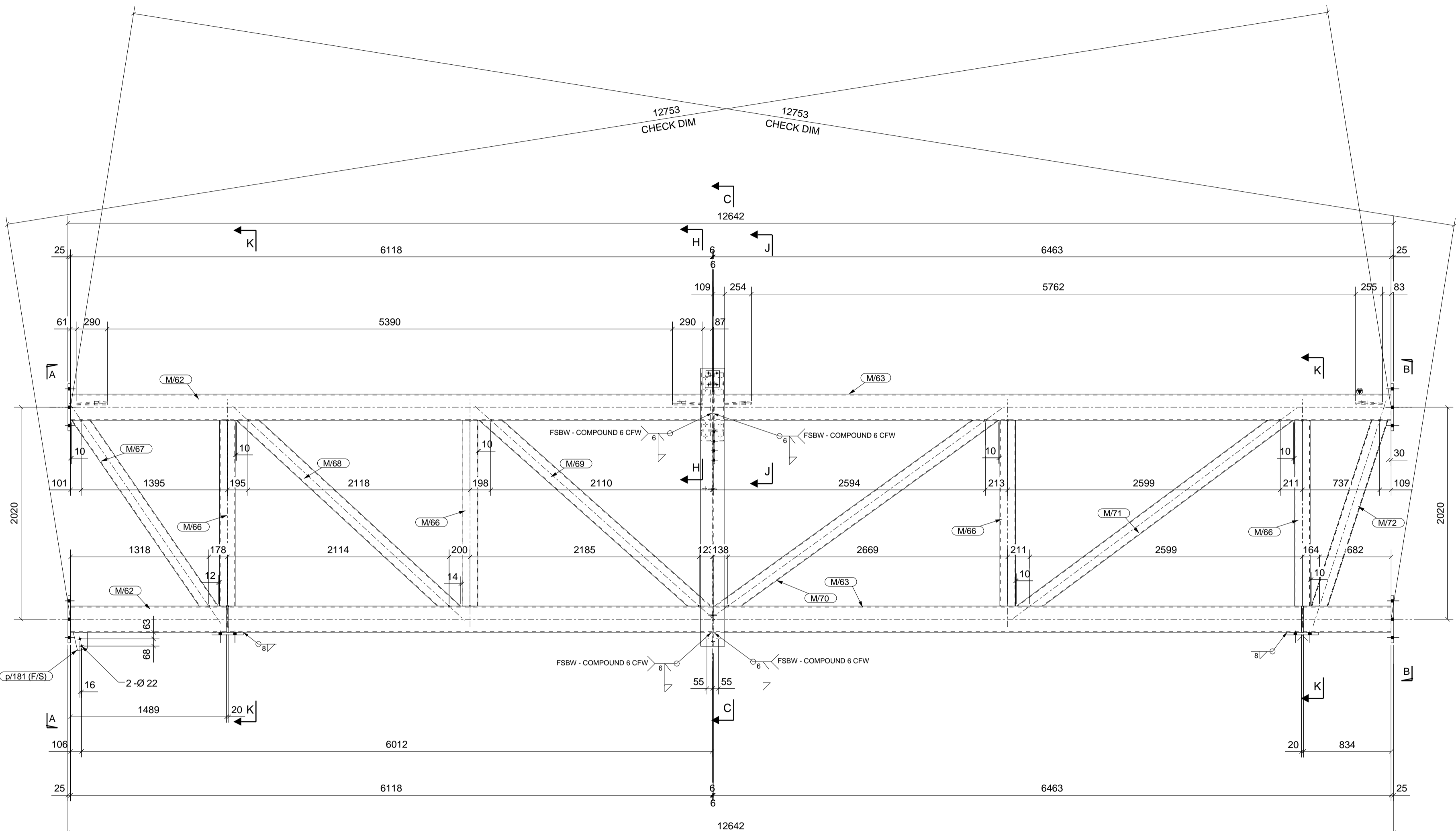
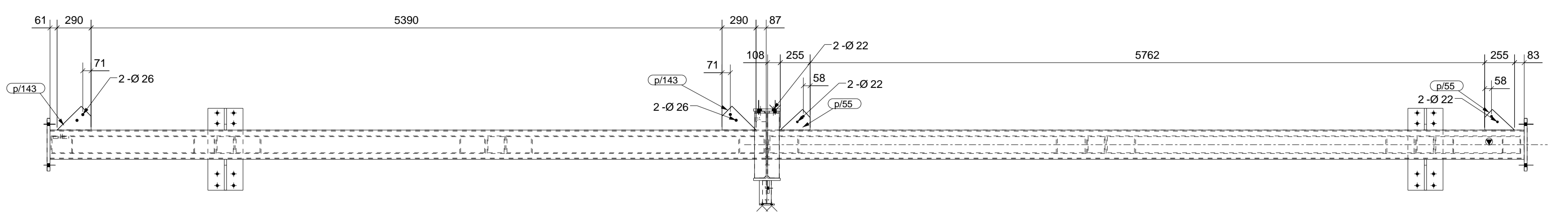


FABRICATOR:-				WELDER:-				DATE:-							
ITEM	No	OFF	SECTION	LENGTH	GRADE	WEIGHT(kg)	AREA(m <sup>2</sup> )	ITEM	No	OFF	SECTION	LENGTH	GRADE	WEIGHT(kg)	AREA(m <sup>2</sup> )
M/35	1		UB610*125	2650	C350L	332.8	5.5								
M/62	2		SHS250*250*9.0	6118	C350L	806.8	11.8								
M/63	2		SHS250*250*9.0	6463	C350L	852.3	12.4								
M/66	4		SHS150*150*6.0	1770	C350L	185.1	4.1								
M/67	1		SHS150*150*6.0	2251	C350L	58.9	1.3								
M/68	1		SHS150*150*6.0	2773	C350L	72.5	1.6								
M/69	1		SHS150*150*6.0	2830	C350L	74.0	1.6								
M/70	1		SHS150*150*6.0	3235	C350L	84.6	1.9								
M/71	1		SHS150*150*6.0	3175	C350L	83.0	1.8								
M/72	1		SHS150*150*6.0	1909	C350L	49.9	1.1								
M/93	1		EA685*65*6	200	C350L	1.2	0.1								
p/1	1		FL6*90	90	C350L	0.4	0.0								
p/25	4		FL10*100	555	C350L	17.4	0.5								
p/31	1		FL10*130	160	C350L	1.6	0.0								
p/55	2		PLT10*177	255	C350L	4.1	0.1								
p/60	2		FL20*250	186	C350L	10.3	0.2								
p/61	2		FL20*250	264	C350L	14.0	0.2								
p/127	2		PLT25*450	450	C350L	79.5	0.9								
p/128	2		FL25*300	700	C350L	82.4	0.9								
p/130	2		PLT25*450	450	C350L	79.5	0.9								
p/143	2		PLT16*204	290	C350L	8.7	0.2								
p/163	1		PLT16*110	340	C350L	4.7	0.1								
p/165	2		PLT16*85	648	C350L	13.8	0.3								
p/177	2		FL8*75	195	C350L	1.8	0.1								
p/181	1		PLT20*130	180	C350L	3.0	0.0								
<b>TOTAL:</b>							<b>2922.1</b>	<b>47.5</b>							



TRUSS - MK " T/1 " - 1 REQ'D

REV	DESCRIPTION	DRAWN	APP	DATE
0	ISSUED FOR CONSTRUCTION	JL	ECL	24.07.2019
A	ISSUED FOR APPROVAL	JL	-	04.07.2019

GENERAL NOTES: (DO NOT SCALE - IF IN DOUBT ASK).  
 FLAME CUT SURFACES TO UNIFORM BEFORE WELDING.  
 ALL WELDS SHALL BE TO AS1554 E48x 6m CFW / CATEGORY 'SP' UNO  
 ALL BUTT WELDS SHALL BE FULL PENETRATION UNO.  
 ALL COPES SHALL HAVE R11 AT INTERNAL CORNERS U.N.O.  
 ALL CROPPED CORNERS SHALL BE 20x45 UNO.  
 NO PAINT IN WAY OF TF BOLT CONNECTIONS  
 ALL DIMENSIONS IN mm



PROJECT:- EXPRESSWAY SPARES - MT THORLEY			
TRUSS - MK " T/1 "			
DRAWN:- J.LITTLE	CHECKED:- ECLIPSE	DRAWING No:- 2049 - T/1	
DATE:- 11.07.2019	SCALE:- 1:20		REV:- 0