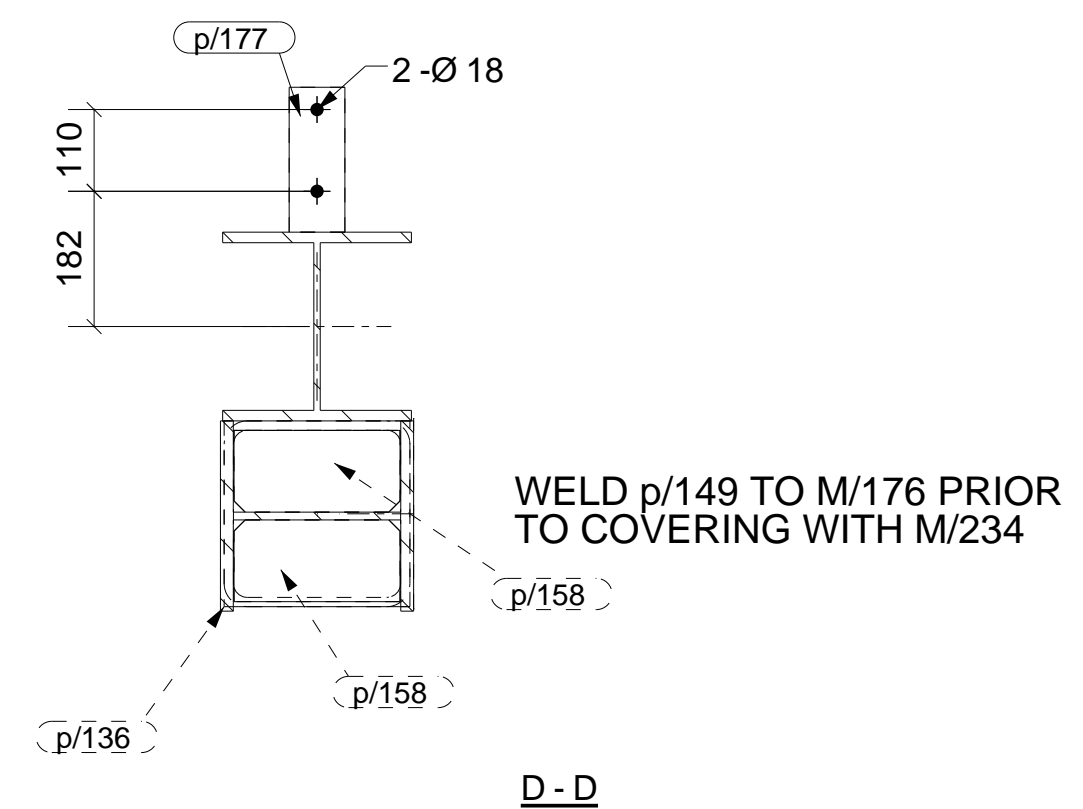
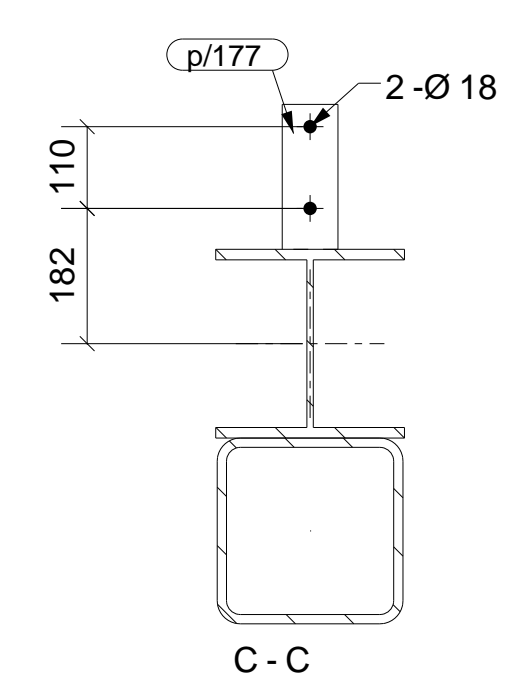
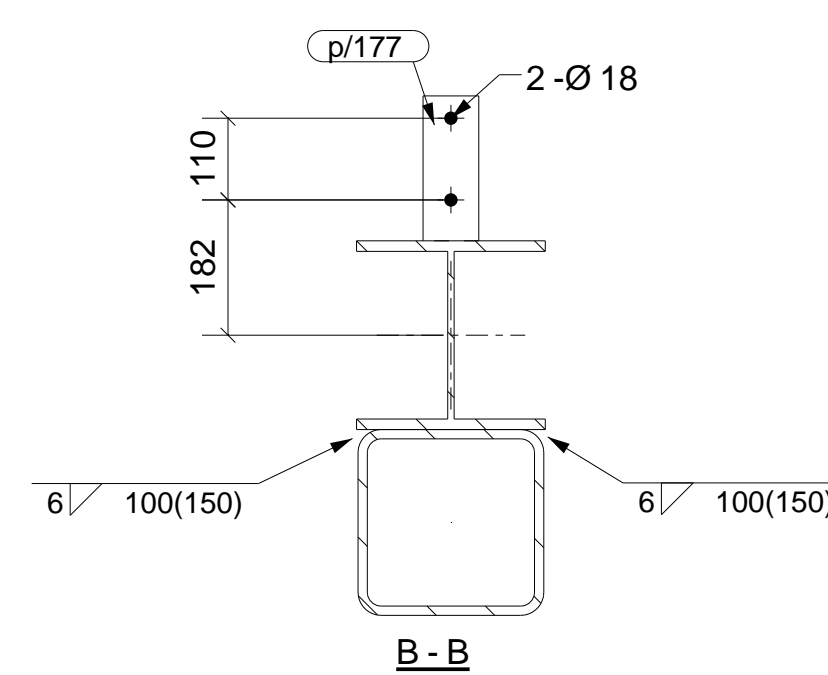
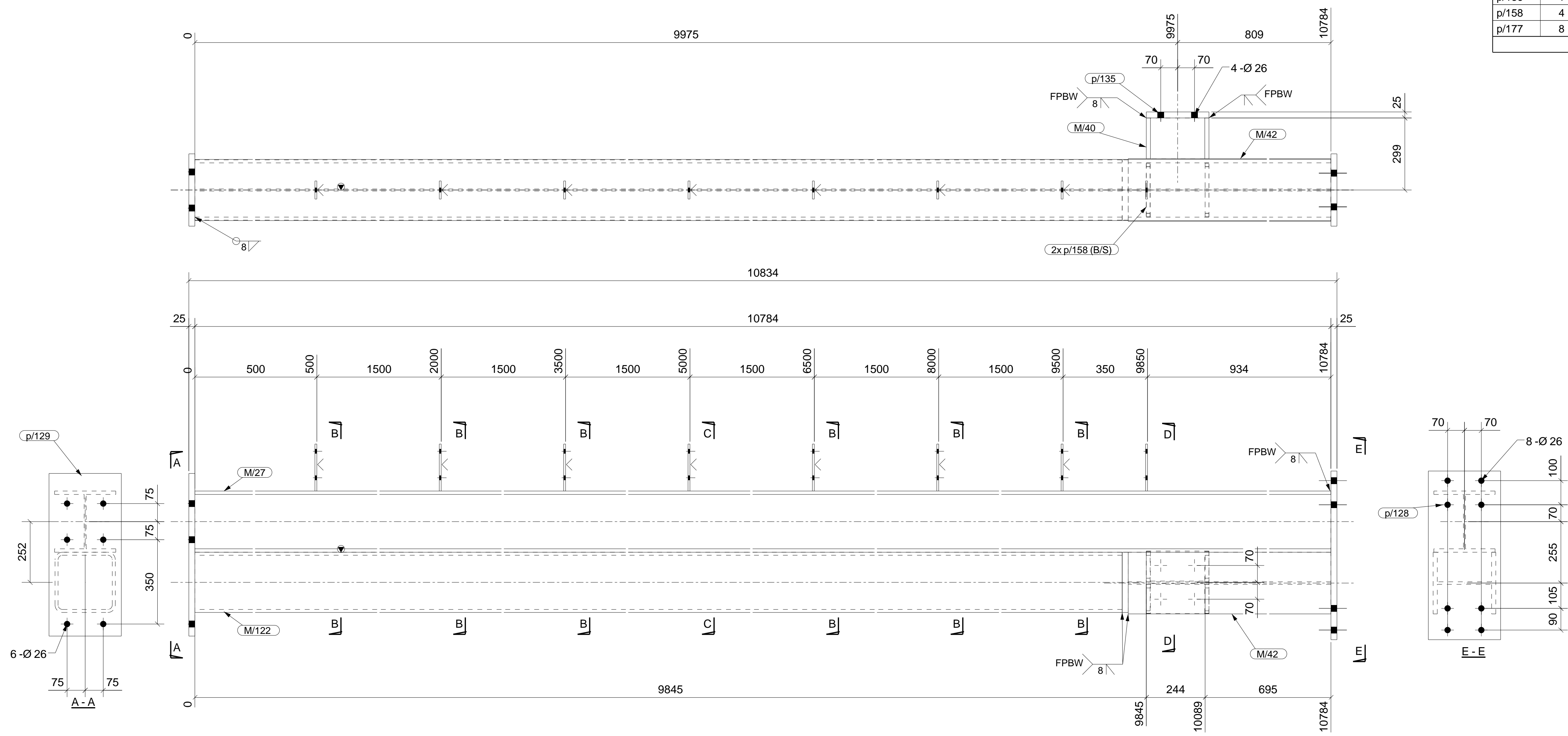


GRID LOCATION	LEVEL	GRID LOCATION	LEVEL
DM/5	2-3/WD	+10.459	

FABRICATOR:-	DATE:-	WELDER:-	DATE:-
CHECKED BY:-	DATE:-	CHECKED BY:-	DATE:-

MATERIAL LIST						
ITEM	No.OFF	SECTION	LENGTH	GRADE	WEIGHT(kg)	AREA(m ²)
M/27	1	UC250*73	10784	300	789.0	16.0
M/40	1	UC250*90	169	300	15.1	0.3
M/42	1	UC250*90	1014	300	90.7	1.5
M/122	1	SHS250*250*12.5	9745	C450L0	864.4	9.2
p/128	1	FL25*300	700	250	41.2	0.5
p/129	1	FL25*300	675	250	39.7	0.5
p/135	1	PLT25*260	260	250	13.3	0.2
p/136	1	FL25*250	250	250	12.3	0.1
p/158	4	PLT16*110	223	250	12.2	0.2
p/177	8	FL8*75	195	250	7.3	0.3
TOTAL:					1885.3	28.7



DOOR MULLION - MK " DM/5 " - 1 REQ'D

REV	DESCRIPTION	DRAWN	APP	DATE
0	ISSUED FOR CONSTRUCTION	JL	ECL	24.07.2019
A	ISSUED FOR APPROVAL	JL	-	04.07.2019

GENERAL NOTES: (DO NOT SCALE - IF IN DOUBT ASK).
 FLAME CUT SURFACES TO UNIFORM BEFORE WELDING.
 ALL WELDS SHALL BE TO AS1554 E48x 6m CFW / CATEGORY 'SP' UNO
 ALL BUTT WELDS SHALL BE FULL PENETRATION UNO.
 ALL COPEES SHALL HAVE R11 AT INTERNAL CORNERS U.N.O.
 ALL CROPPED CORNERS SHALL BE 20x45 UNO.
 NO PAINT IN WAY OF TF BOLT CONNECTIONS
 ALL DIMENSIONS IN mm



PROJECT:- EXPRESSWAY SPARES - MT THORLEY		DRAWING No:-		REV:-
DOOR MULLION - MK " DM/5 "		DRAWN:- J.LITTLE		CHECKED:- ECLIPSE
DATE:- 11.07.2019	SCALE:- 1:10	2049 - DM/5		0